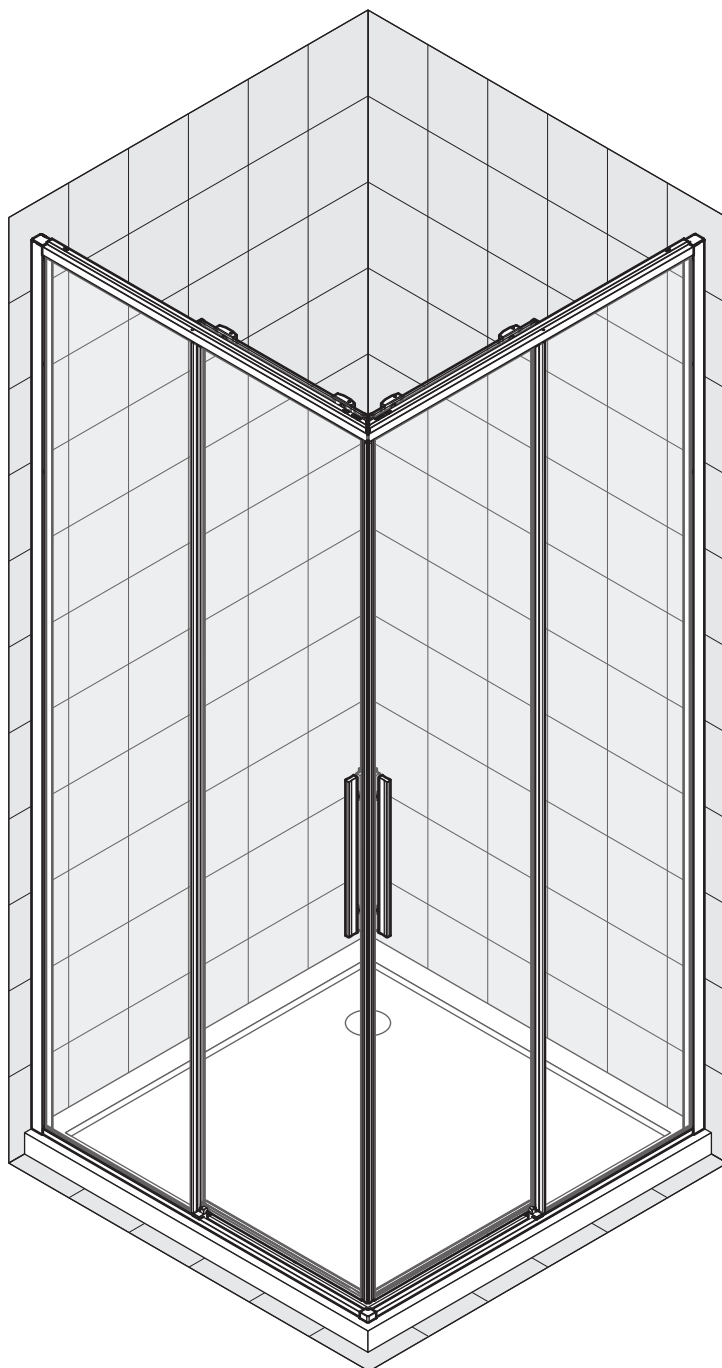
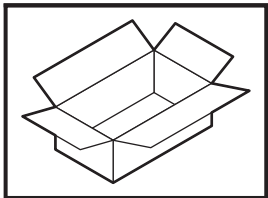
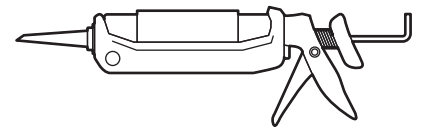
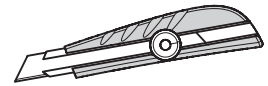
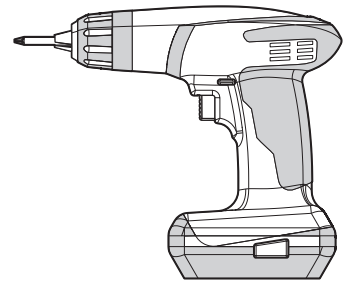
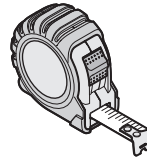
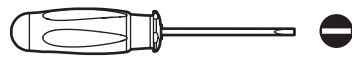
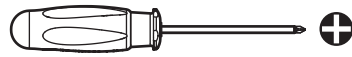
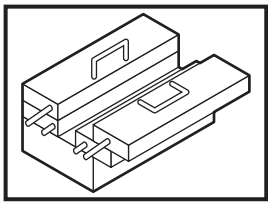


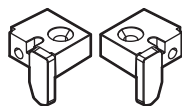
A



<hr/> <hr/> <hr/> <hr/>	<hr/> <hr/> <hr/> <hr/>
-------------------------	-------------------------



x2



x1



x4



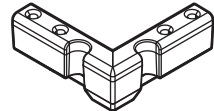
x4



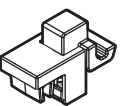
x1



x1



x1



x2



56 x4



3,5x19 x8



M6x5 x2



3,5x9,5 x6



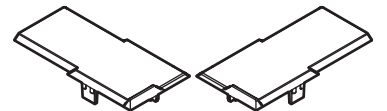
4x35 x4



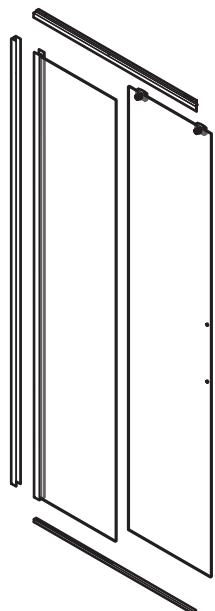
3,5x32 x4



x6



x1

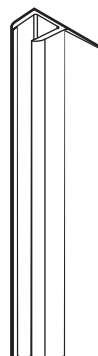


x2



1986 mm

x2

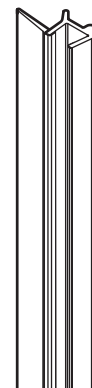


1967 mm

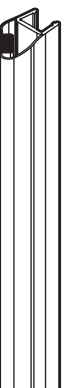
x2



x4



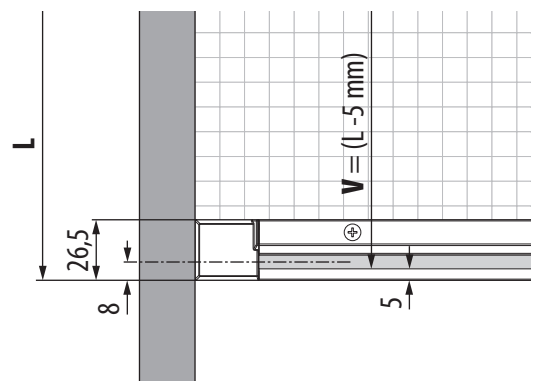
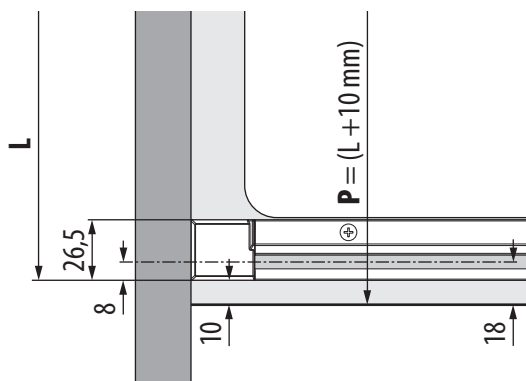
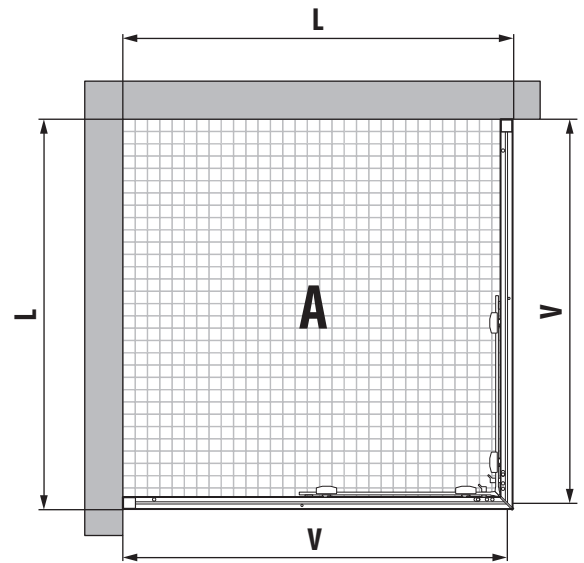
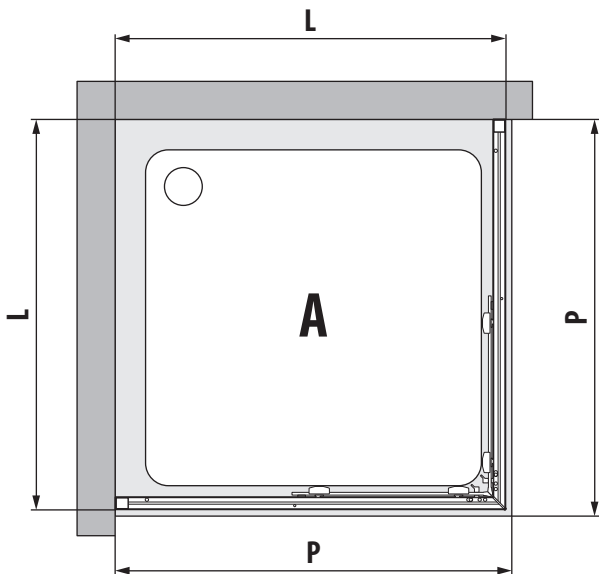
x2



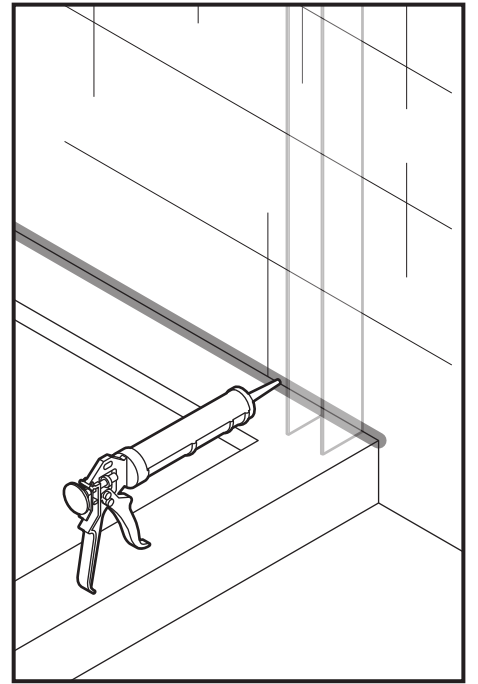
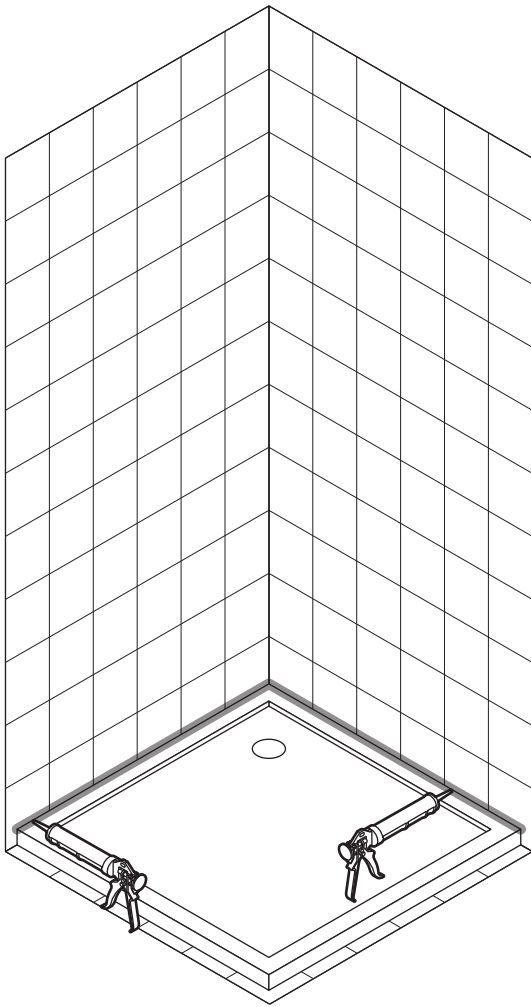
x2

A	P	Lmm
67	685-700	675-690
69	700-715	690-705
72	735-750	725-740
74	750-765	740-755
77	785-800	775-790
79	800-815	790-805
87	885-900	875-890
89	900-915	890-905
97	985-1000	975-990
99	1000-1015	990-1005
107	1085-1100	1075-1090
109	1100-1115	1090-1105
117	1185-1200	1175-1190
119	1200-1215	1190-1205

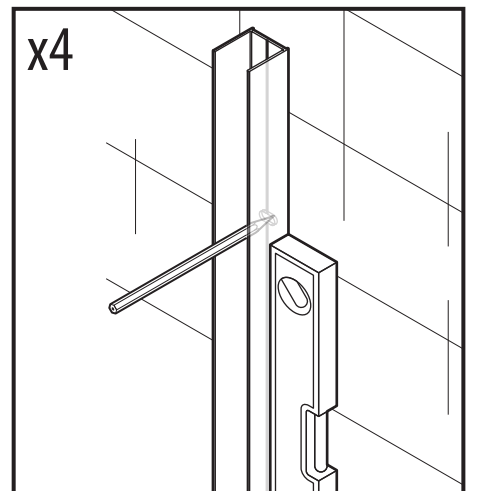
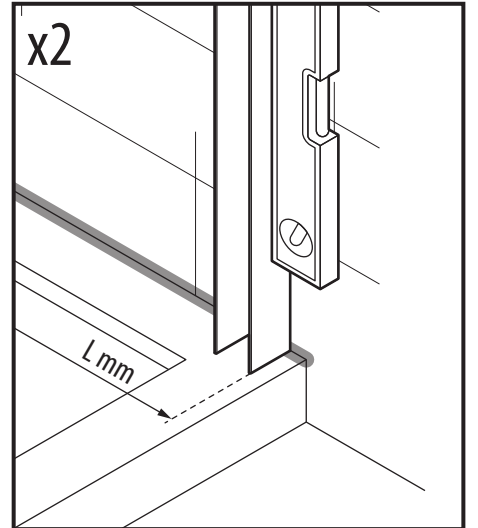
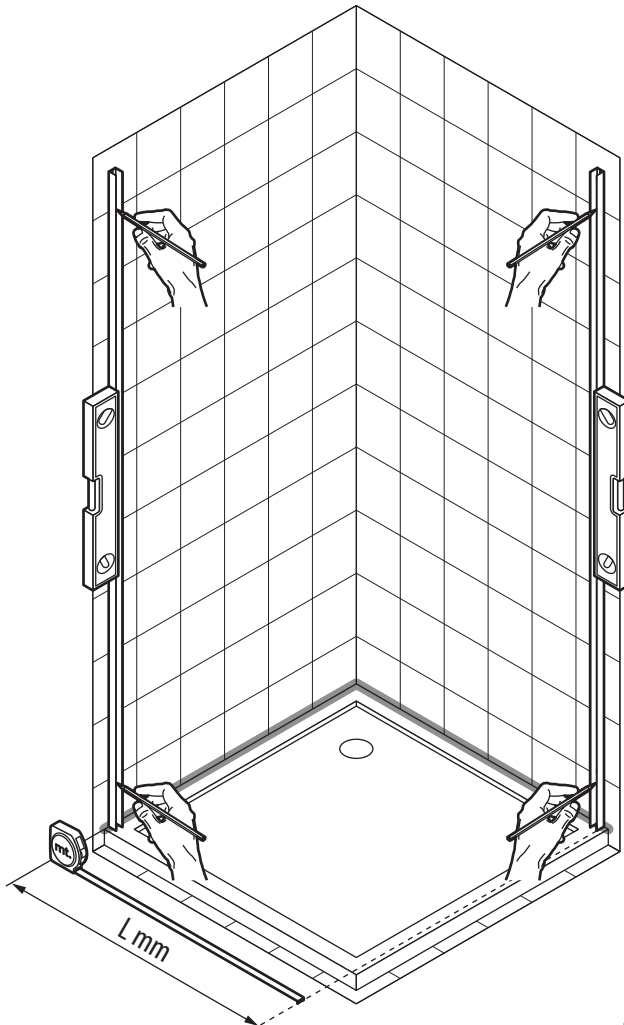
A	V	Lmm
67	670-685	675-690
69	685-700	690-705
72	720-735	725-740
74	735-750	740-755
77	770-785	775-790
79	785-800	790-805
87	870-885	875-890
89	885-900	890-905
97	970-985	975-990
99	985-1000	990-1005
107	1070-1085	1075-1090
109	1085-1100	1090-1105
117	1170-1185	1175-1190
119	1185-1200	1190-1205



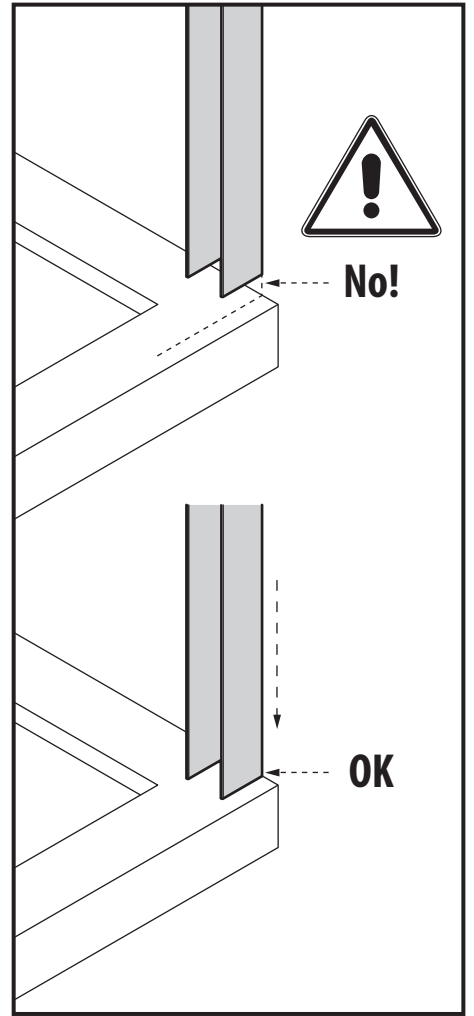
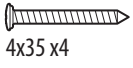
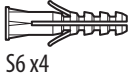
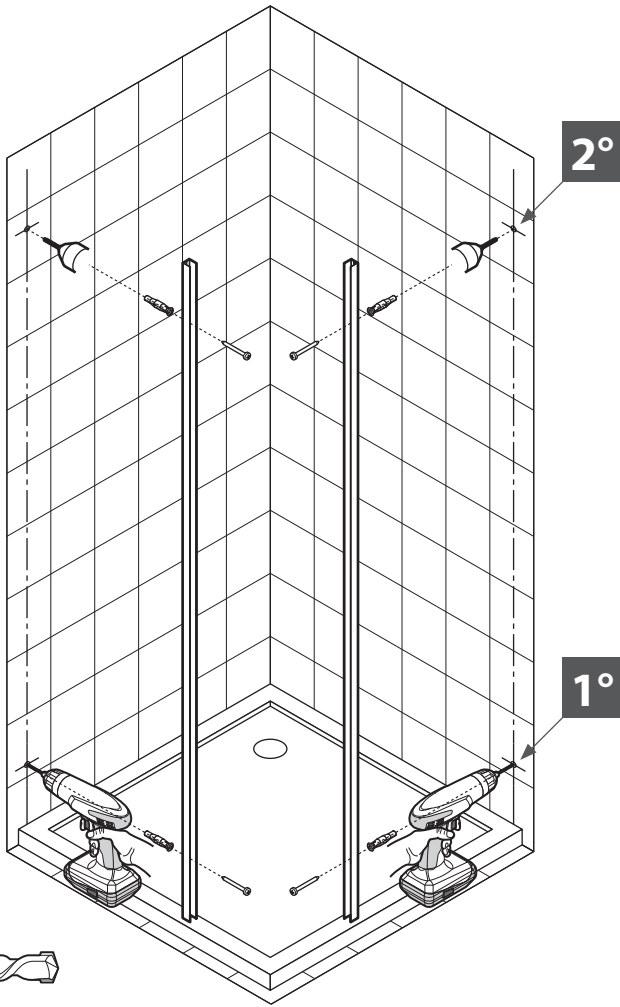
1



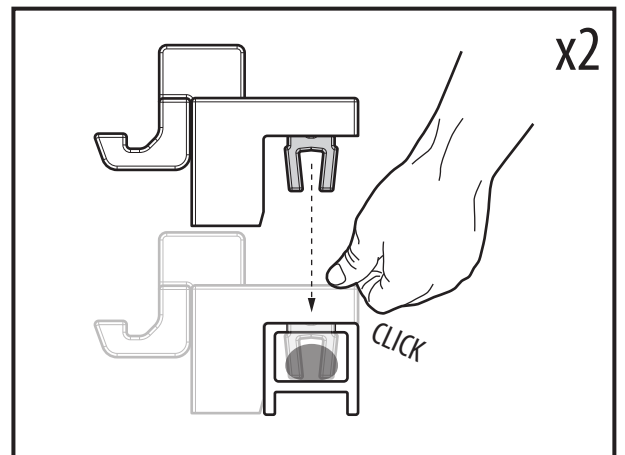
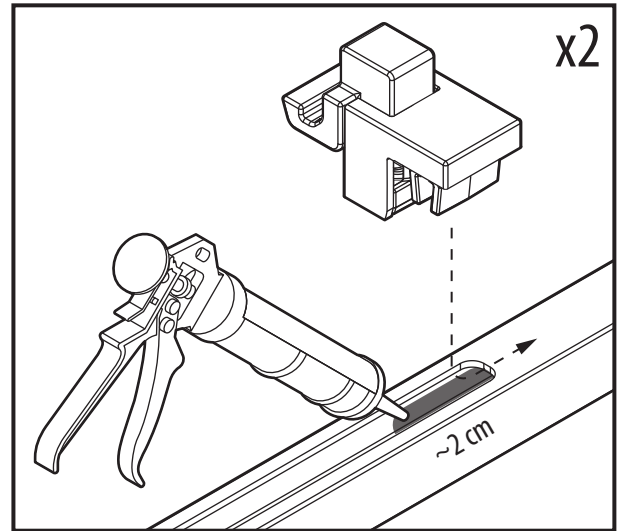
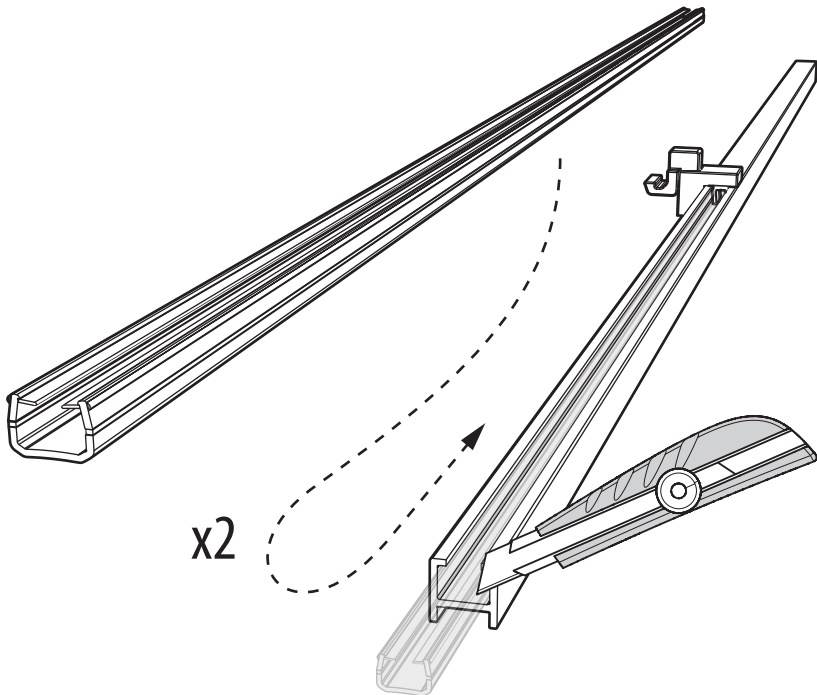
2



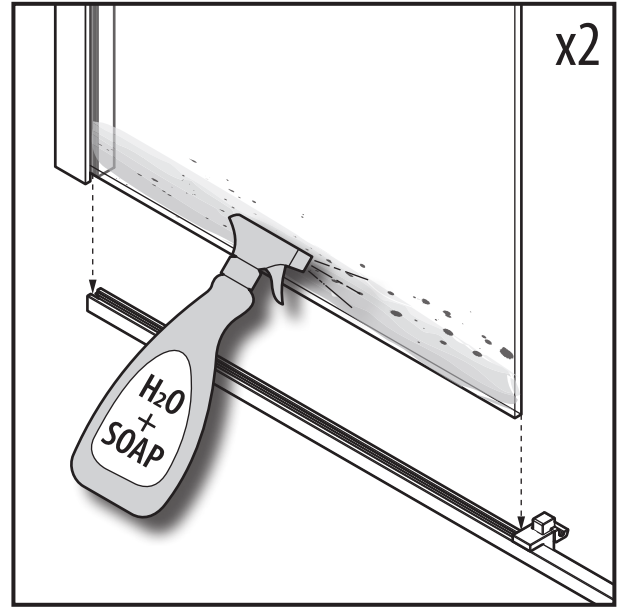
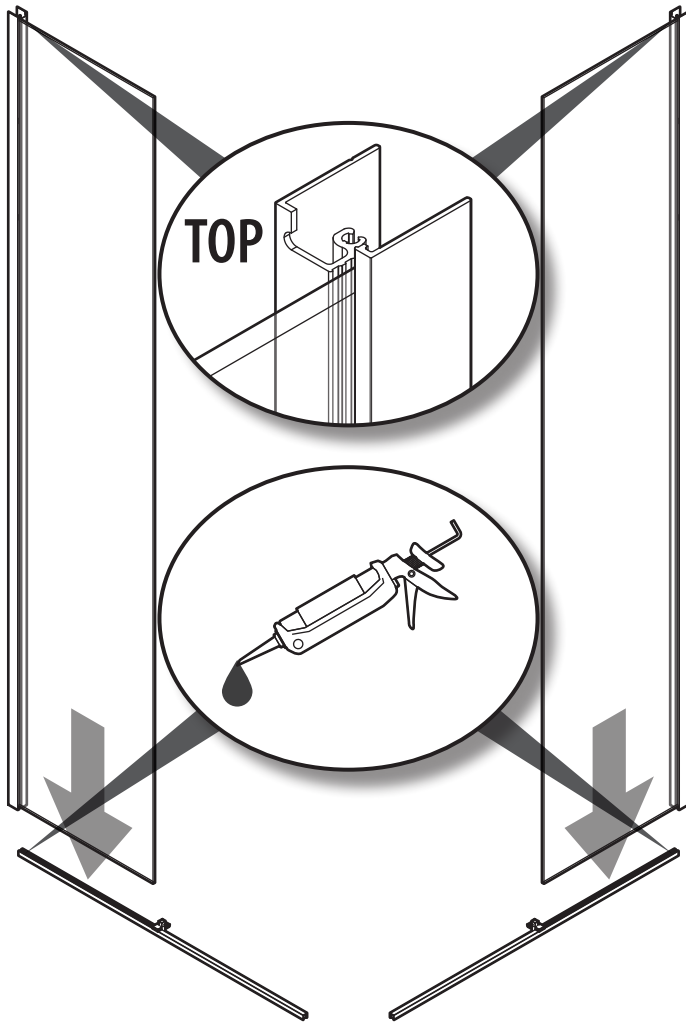
3



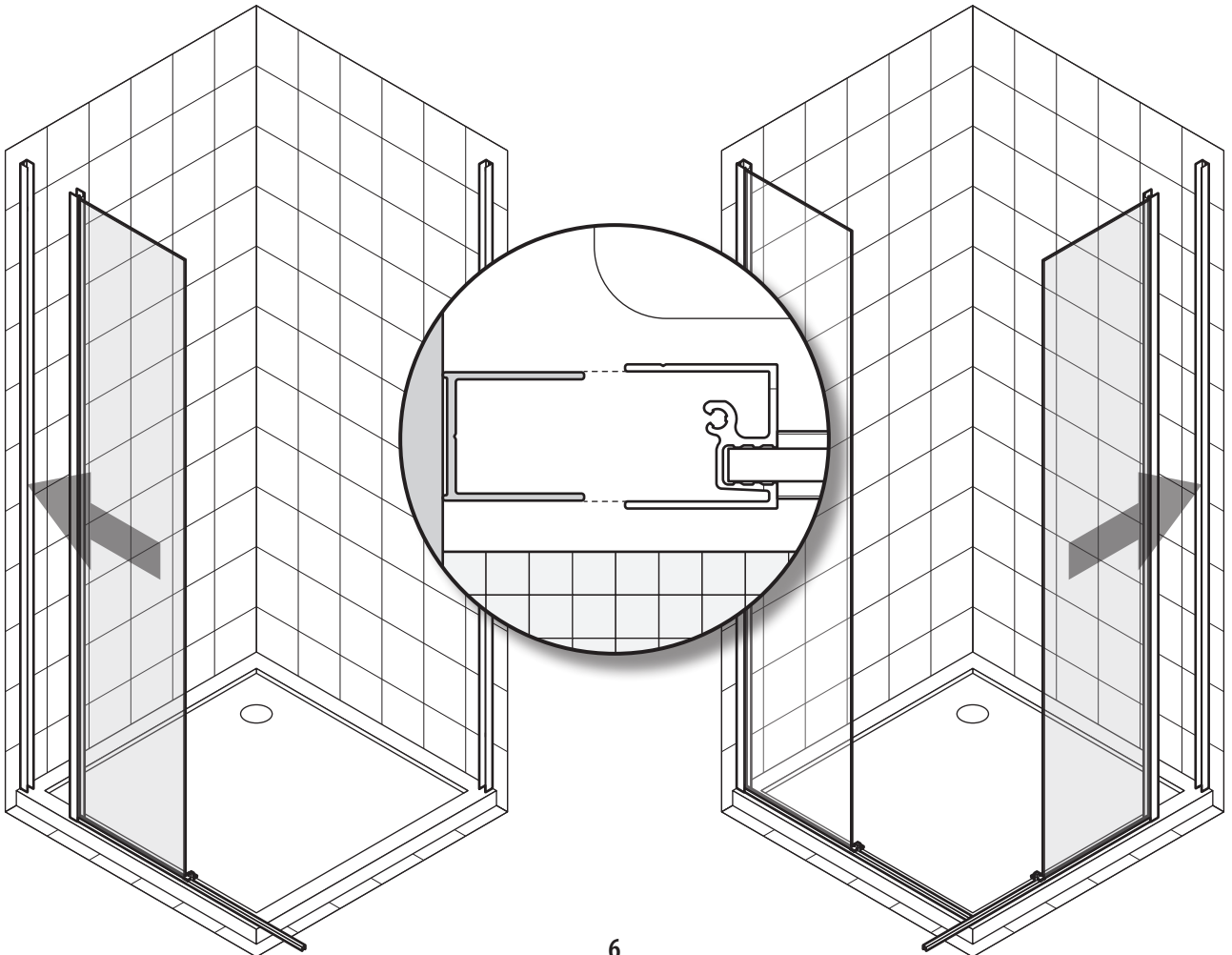
4



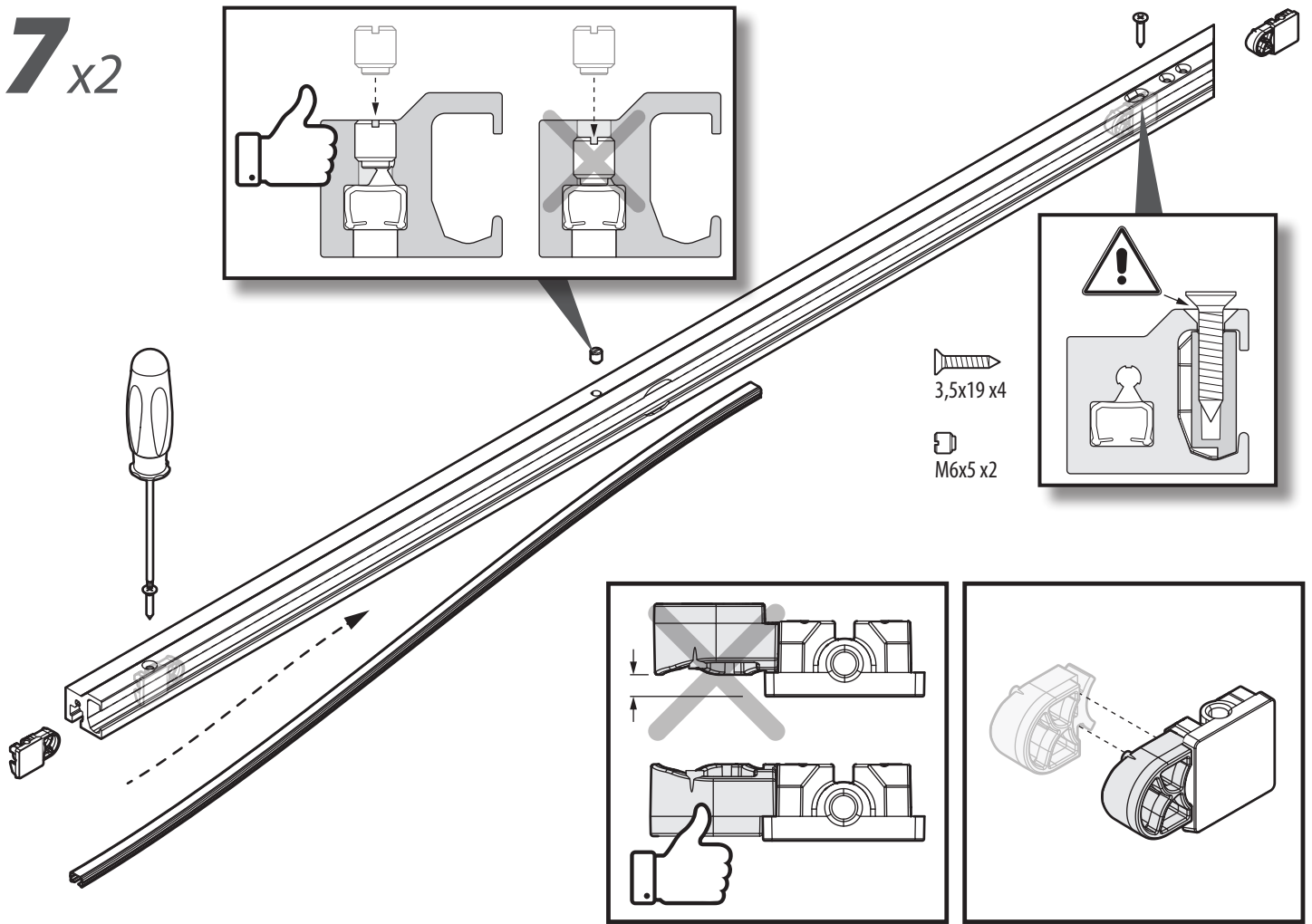
5



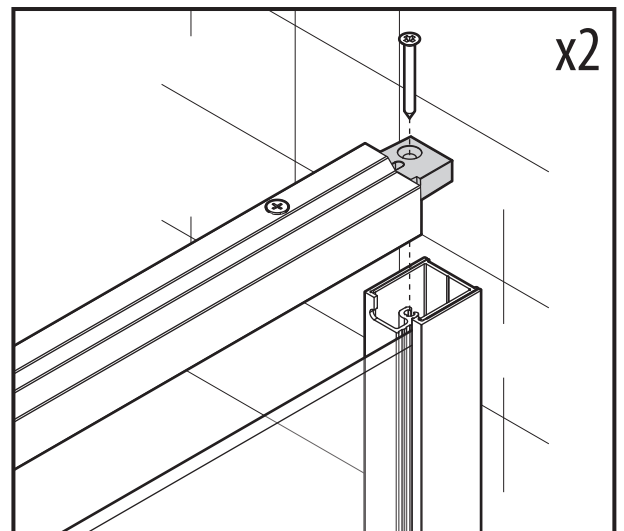
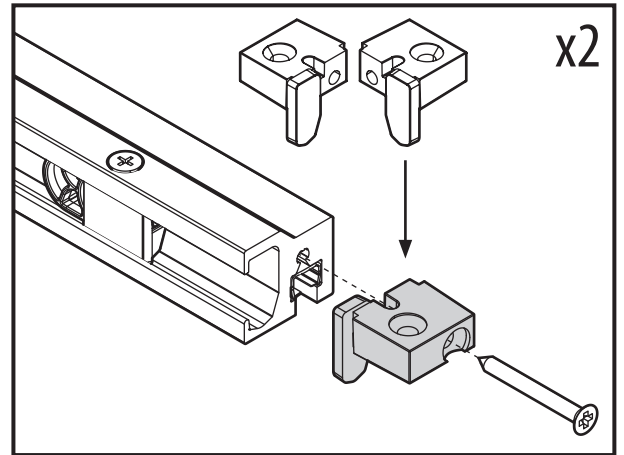
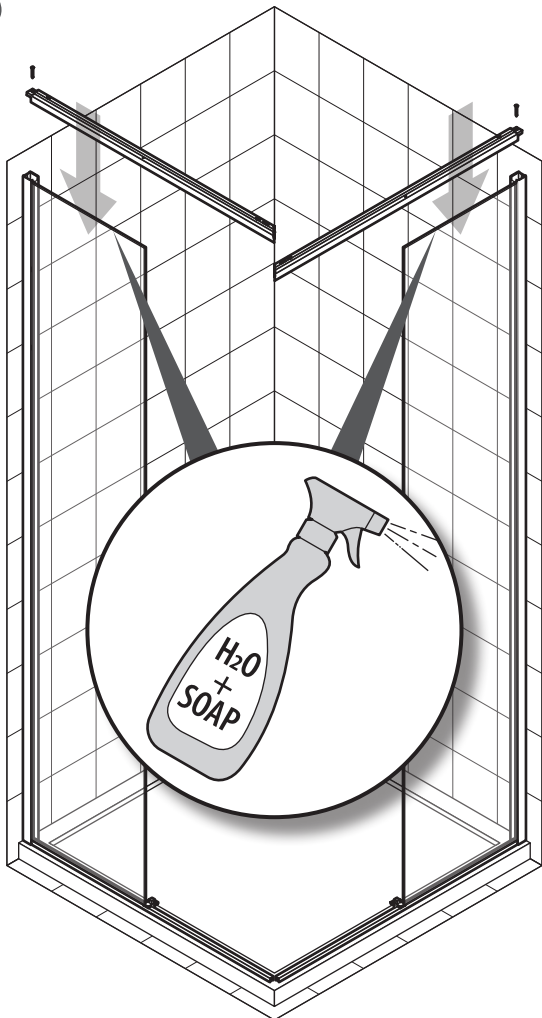
6



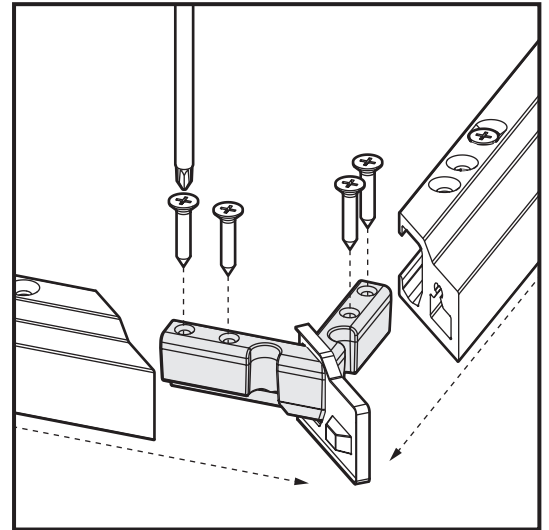
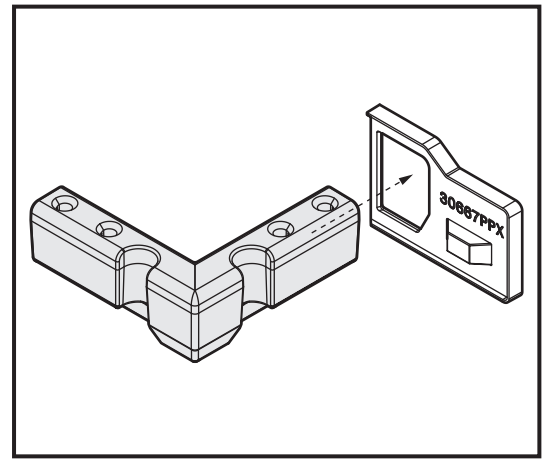
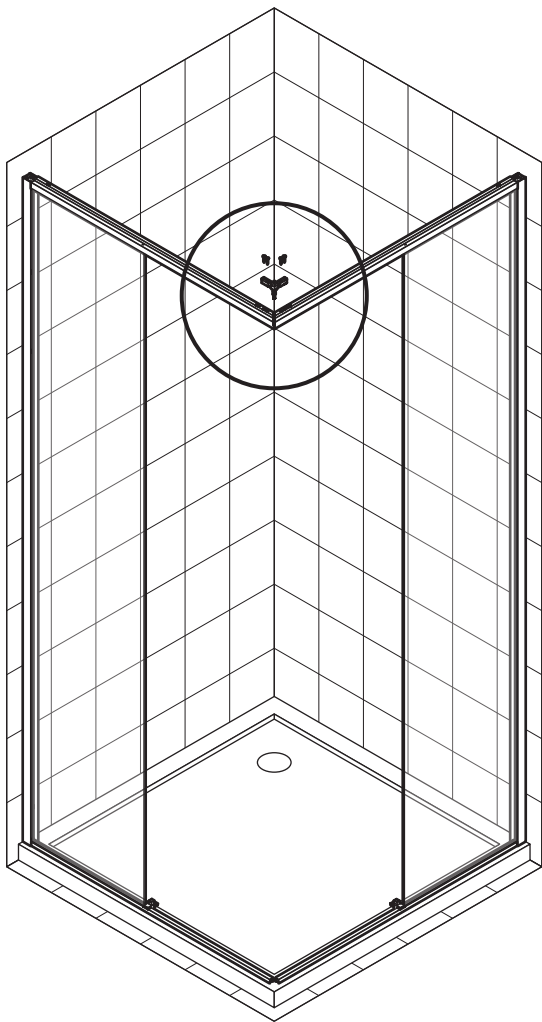
7 x2



8

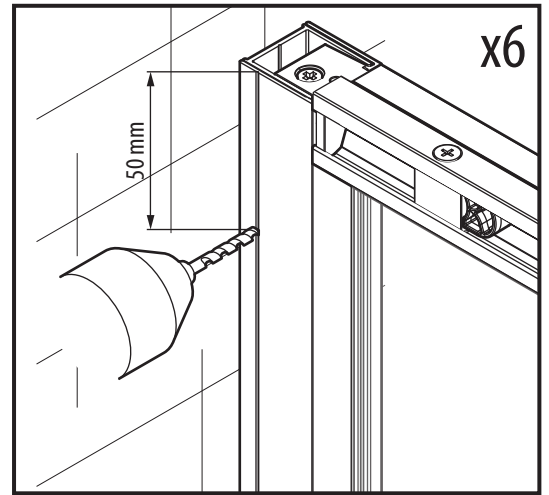
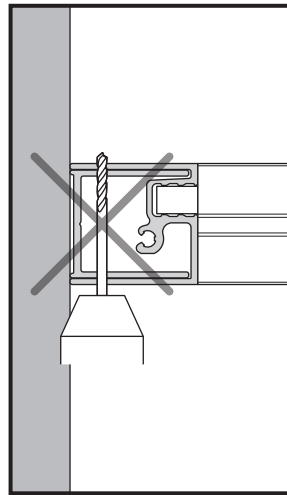
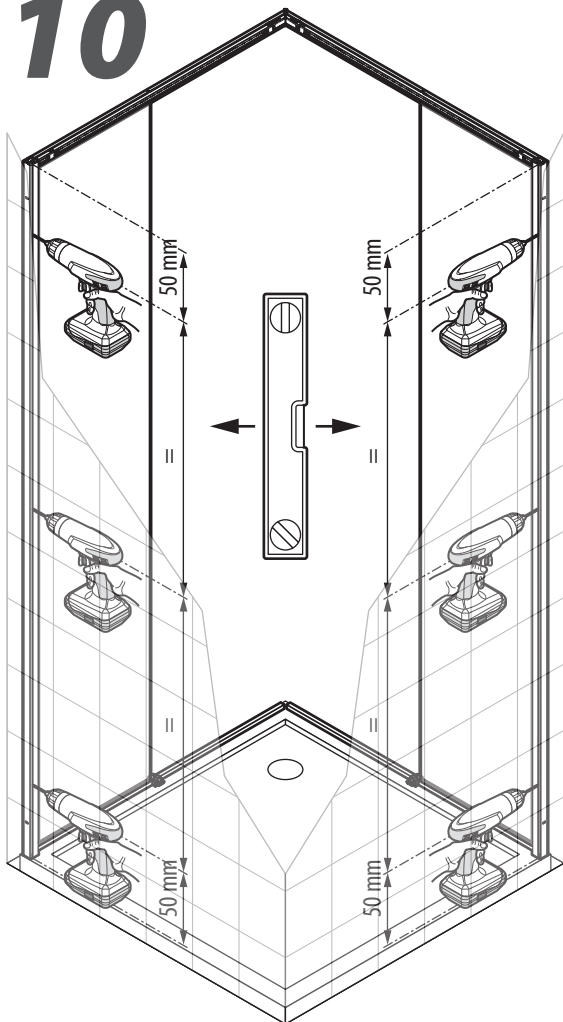


9



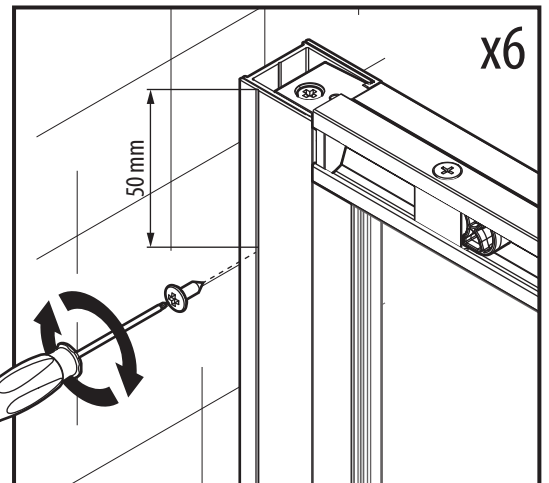
3,5x19 x4

10

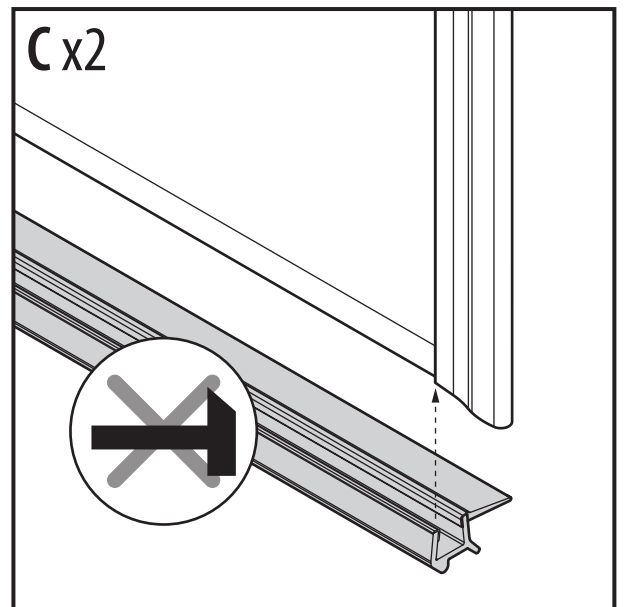
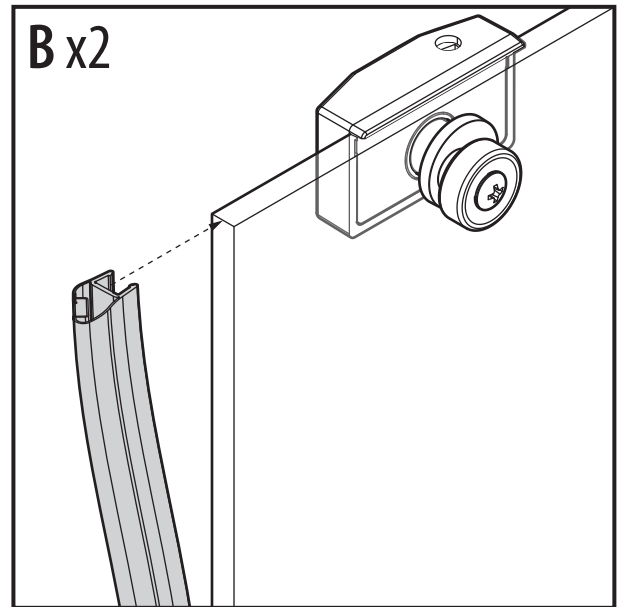
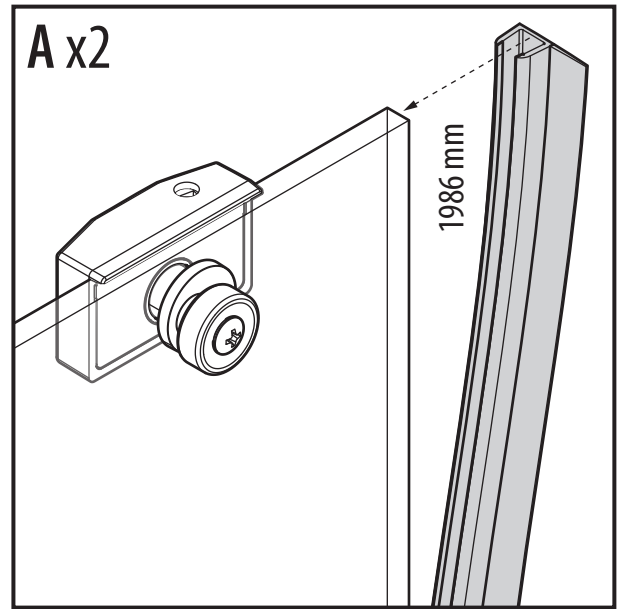
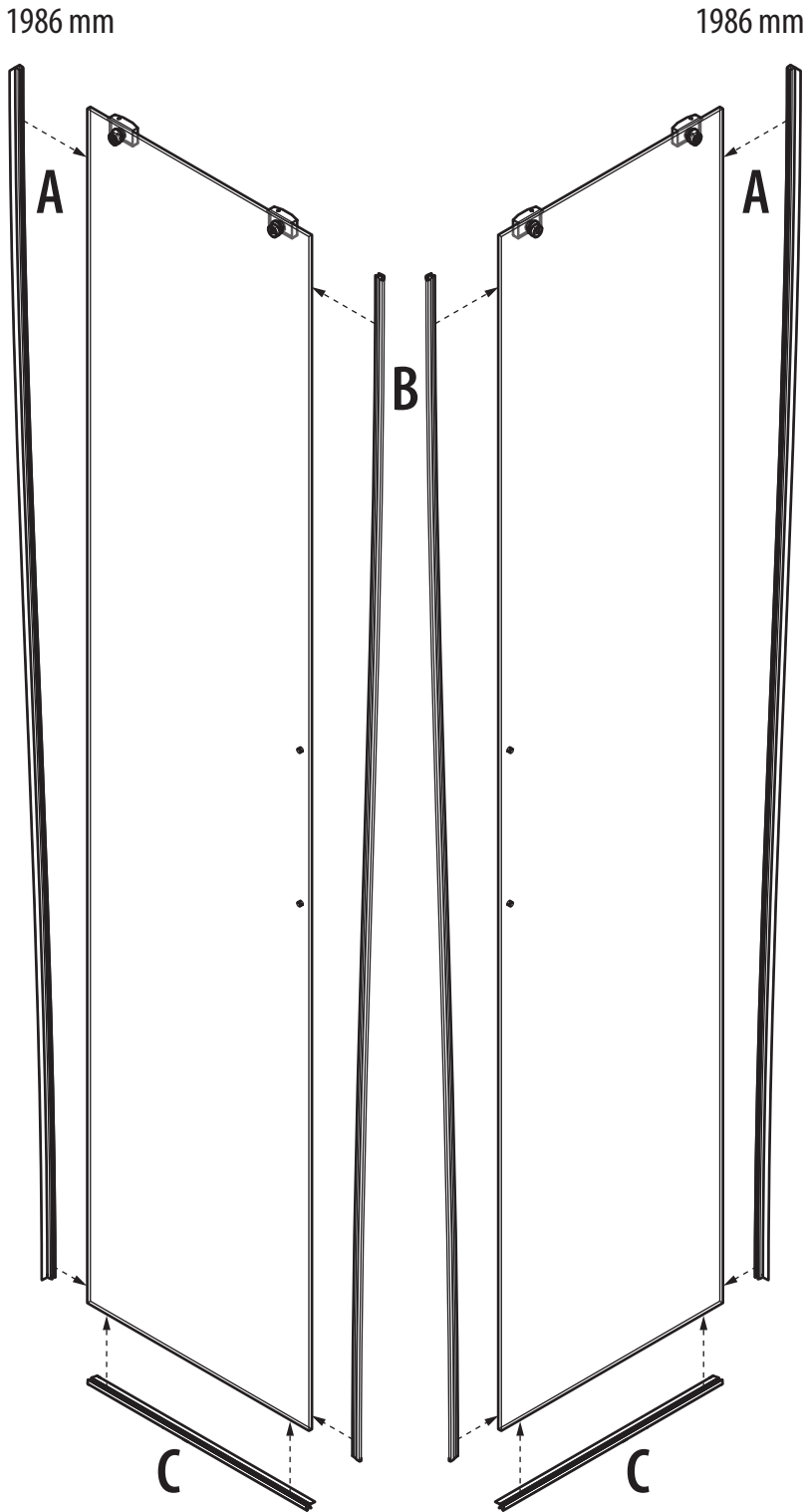


3,5x9,5 mm x6

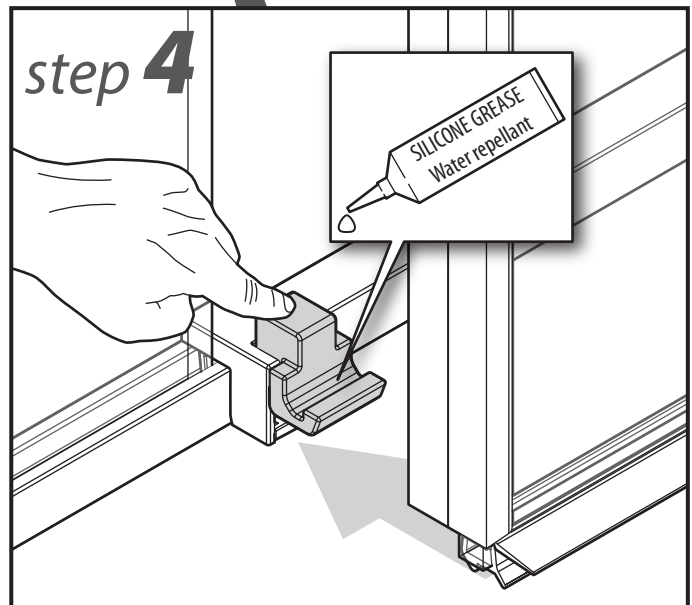
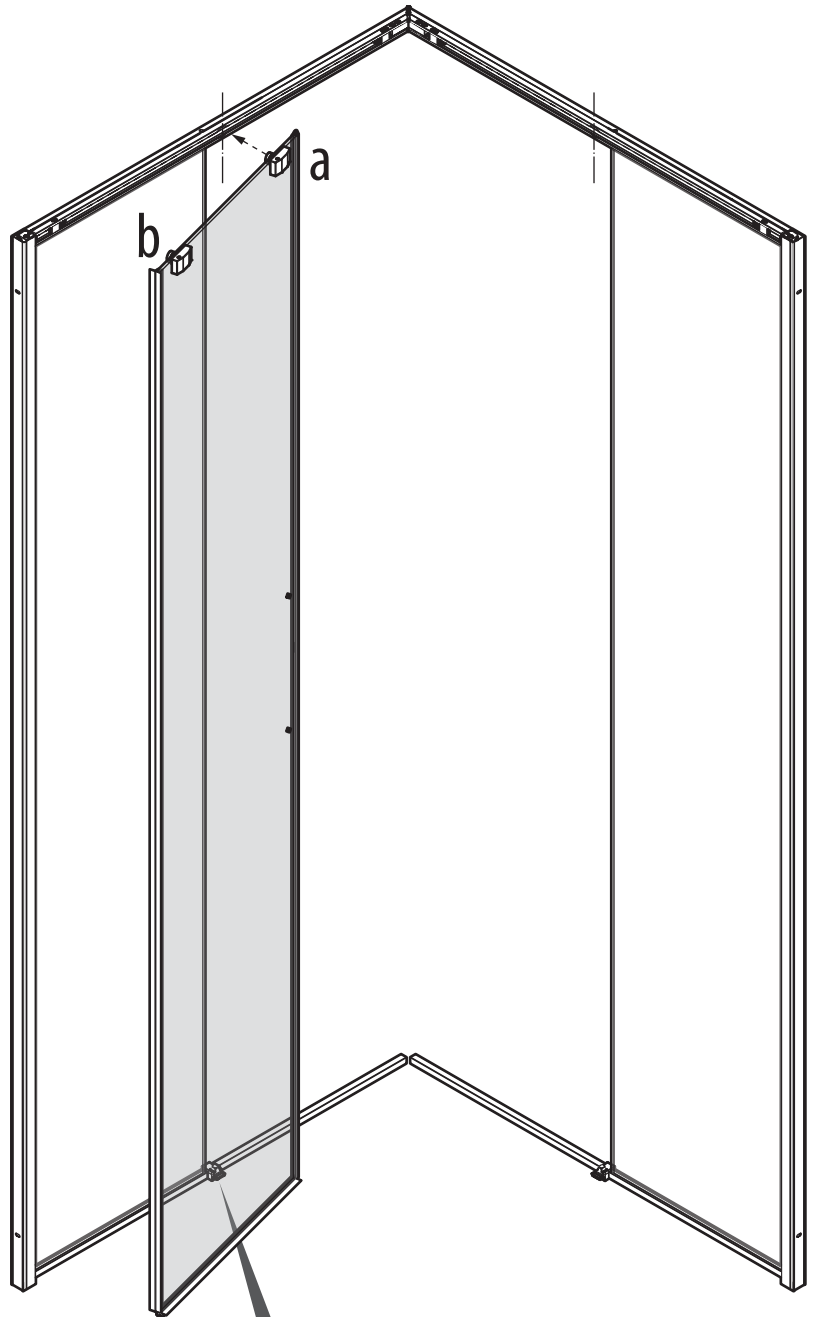
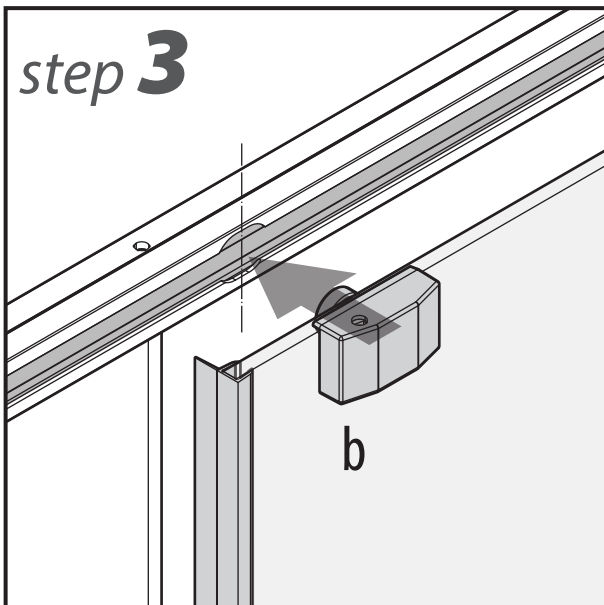
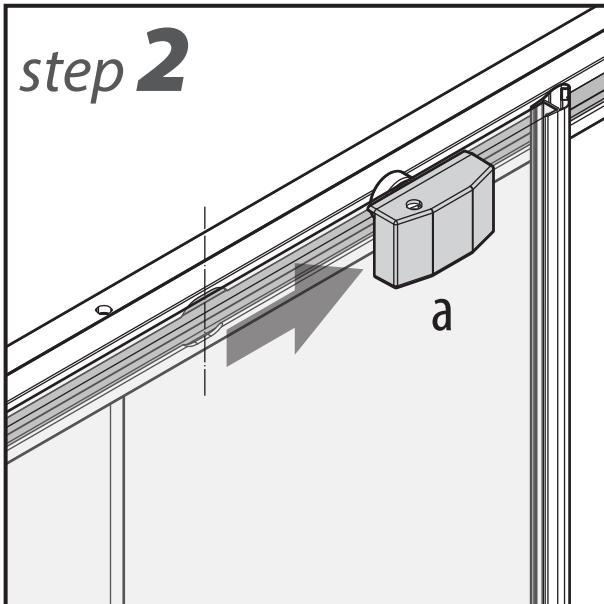
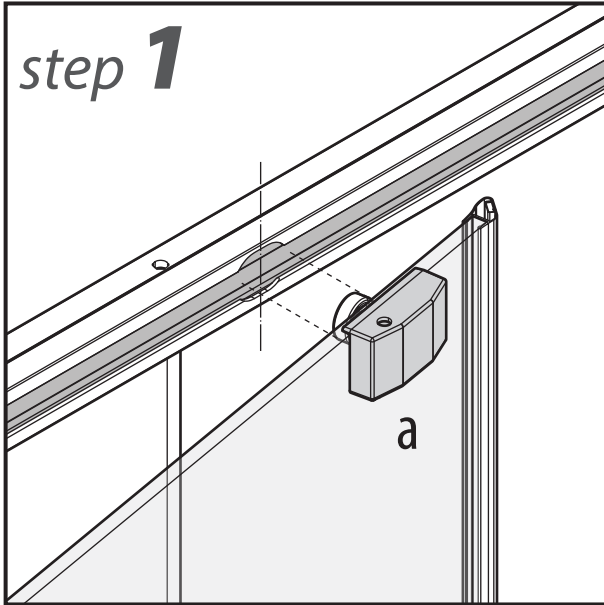
x6



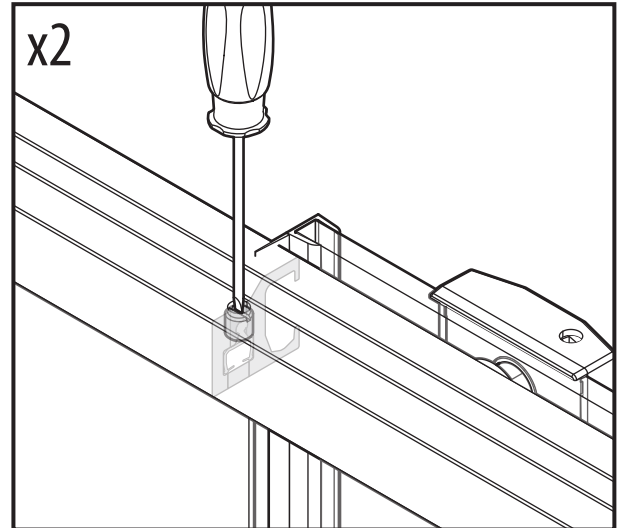
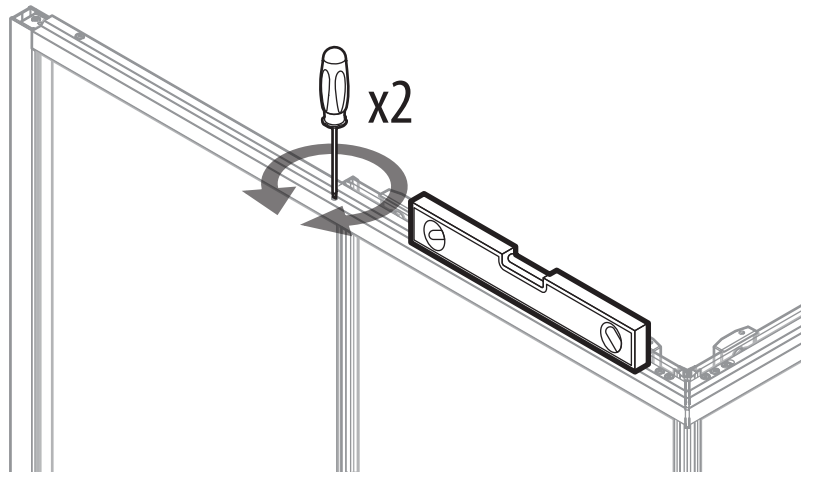
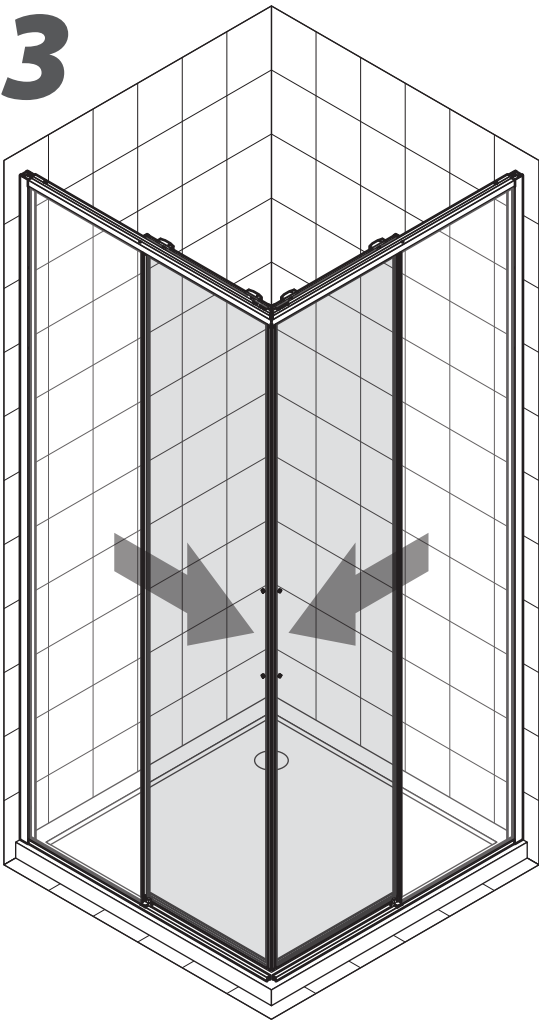
11



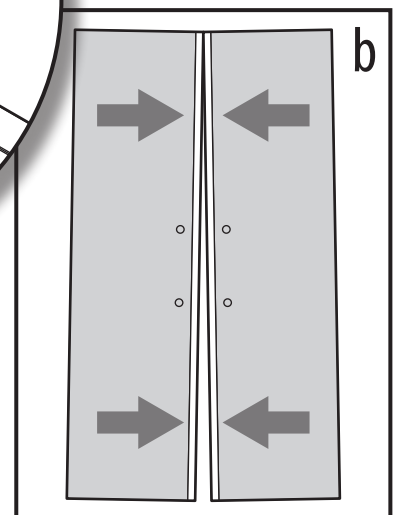
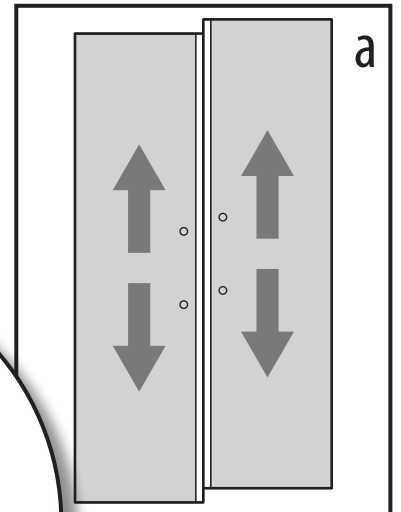
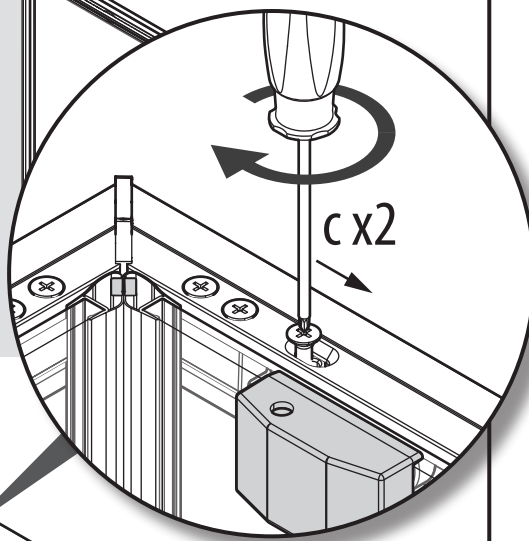
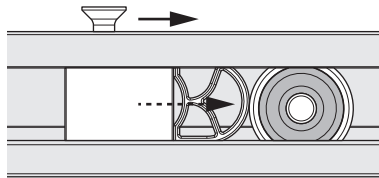
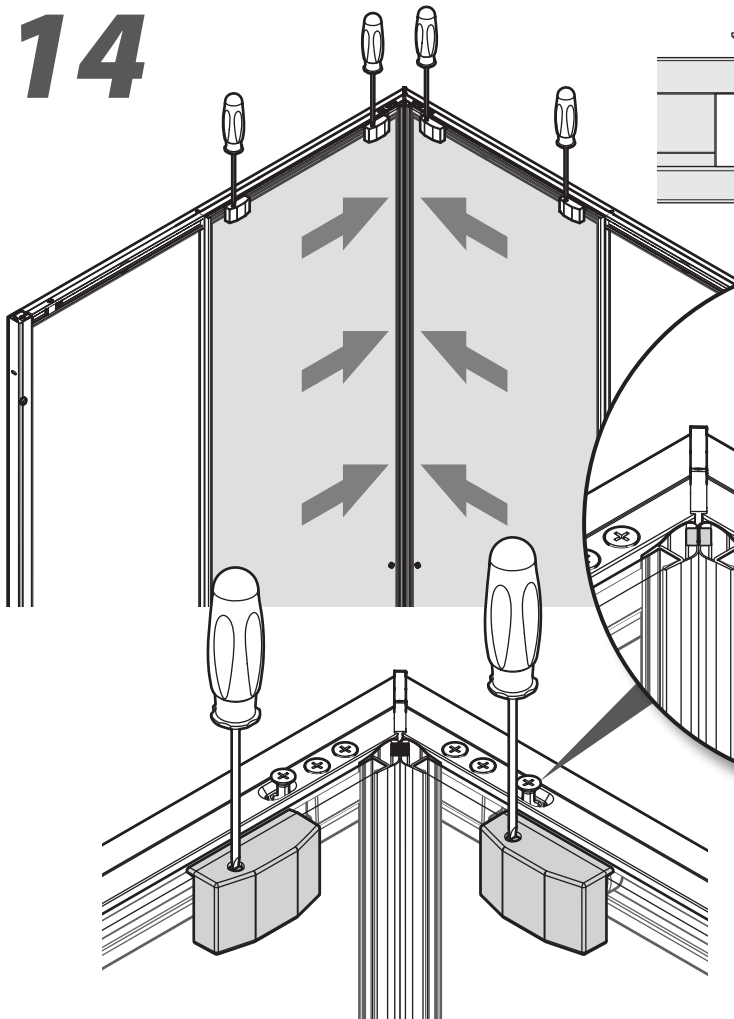
12_{x2}



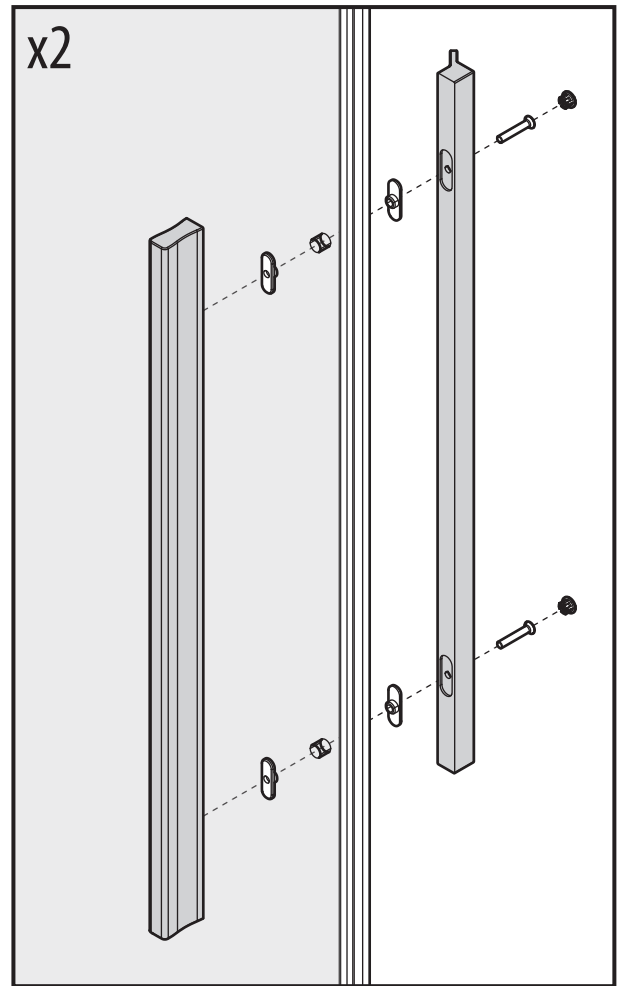
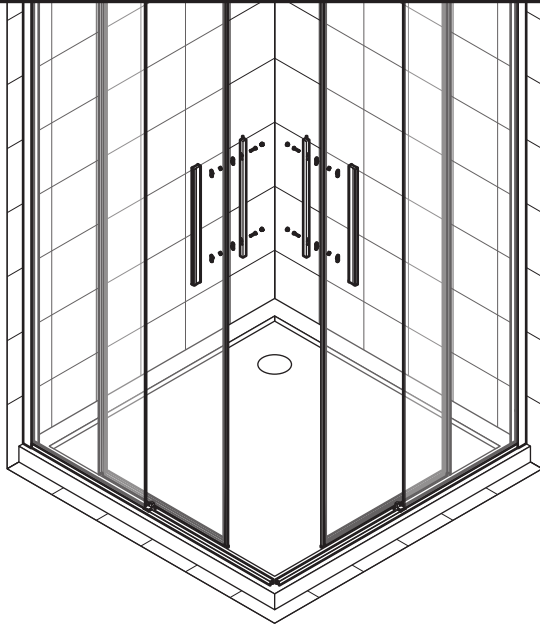
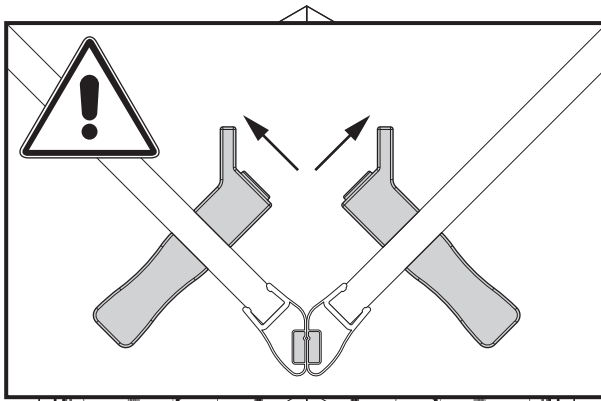
13



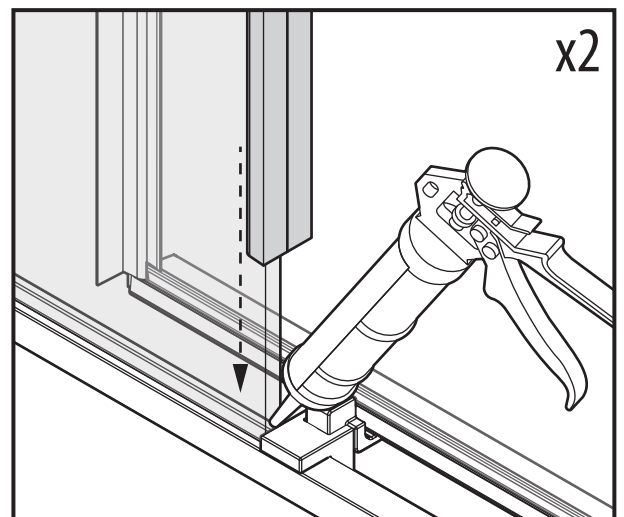
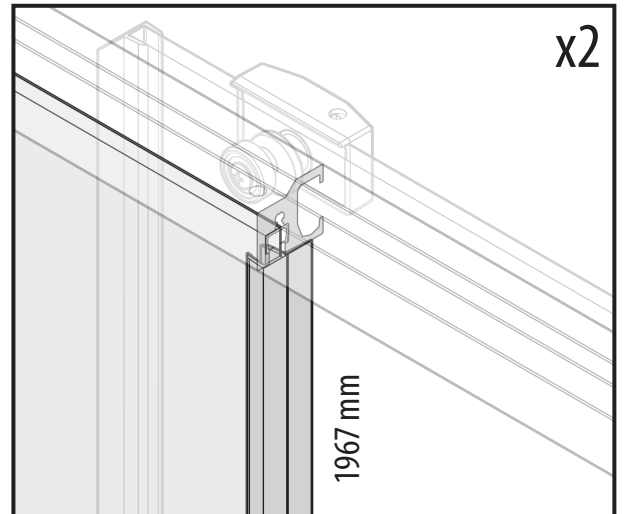
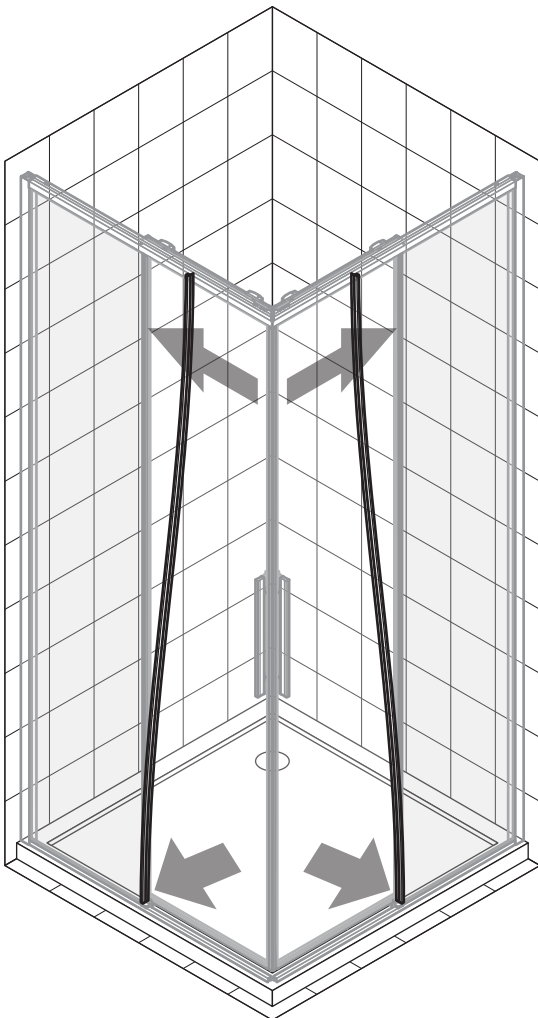
14



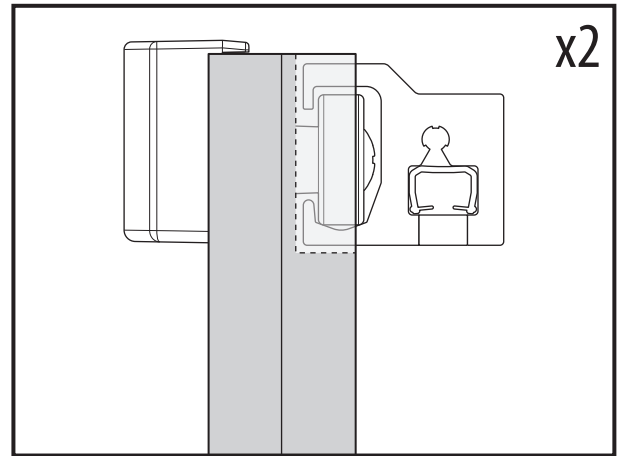
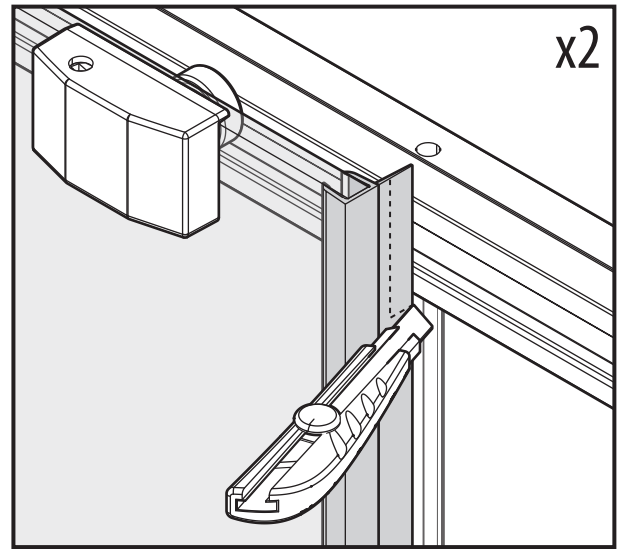
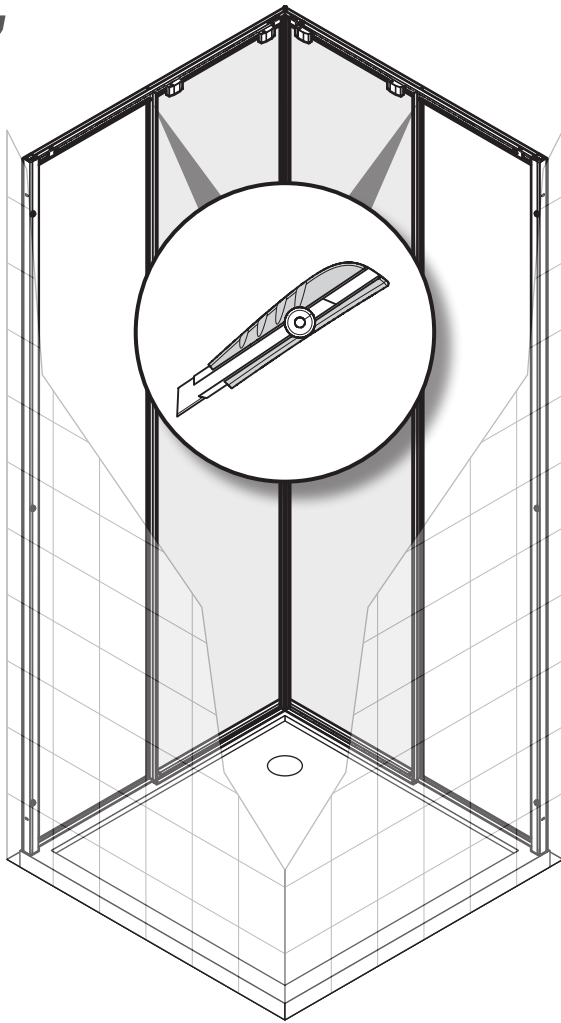
15



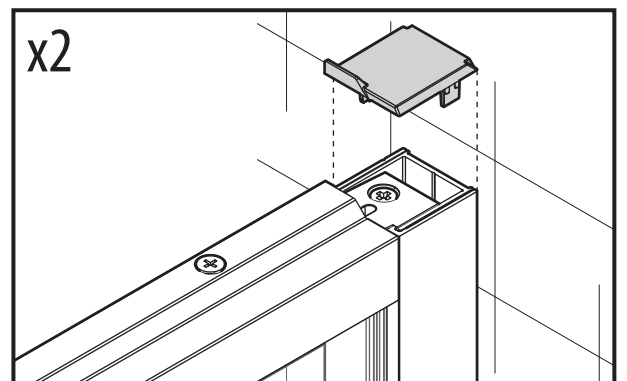
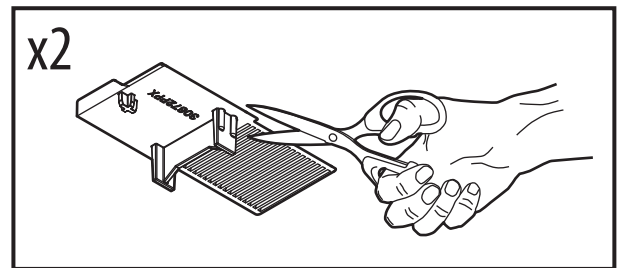
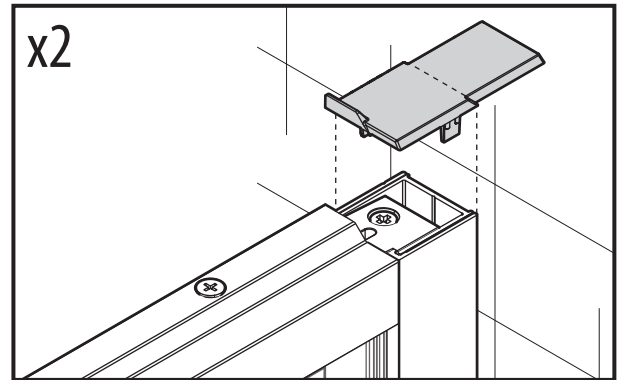
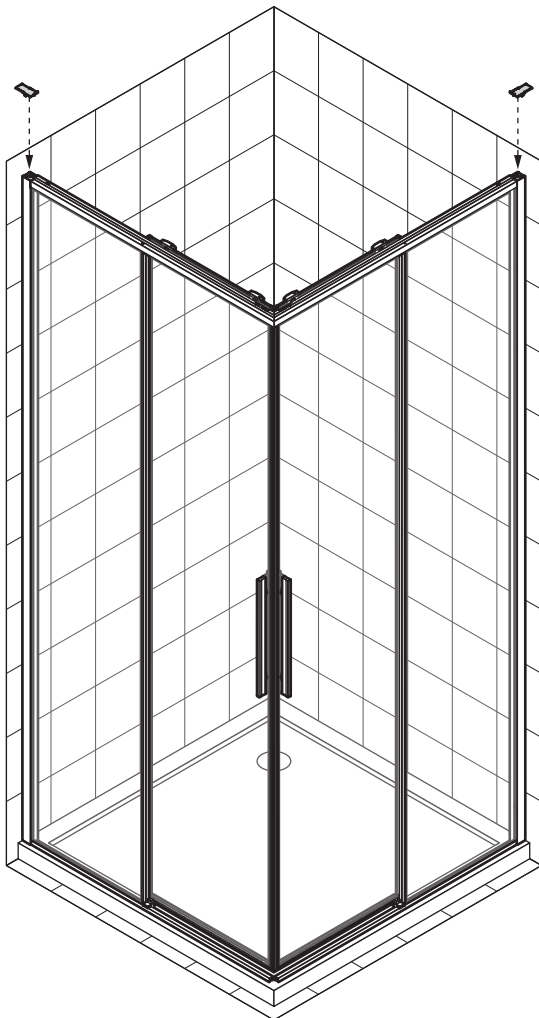
16



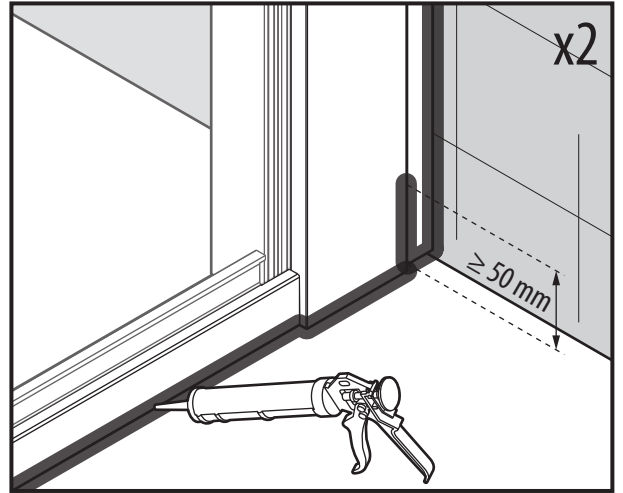
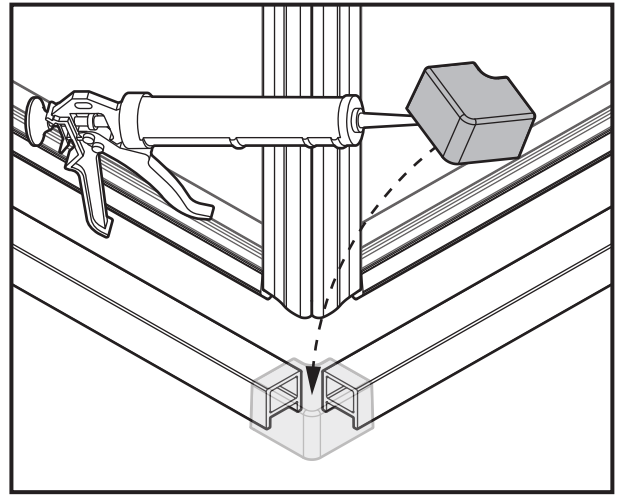
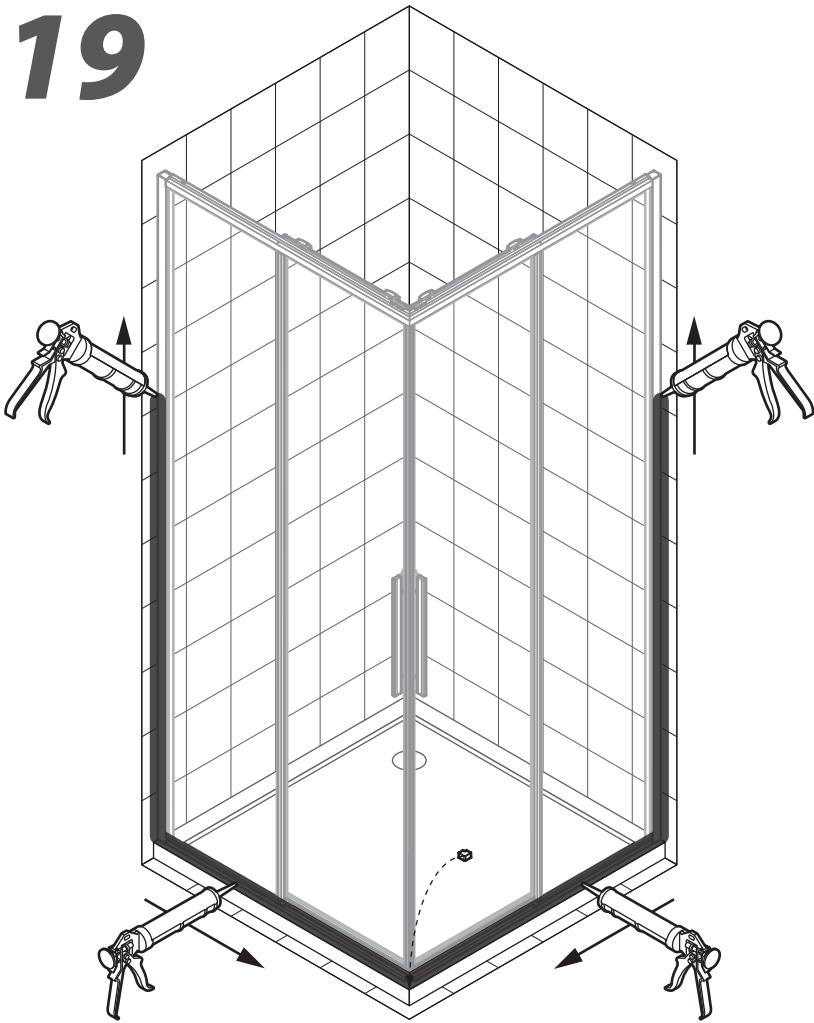
17



18

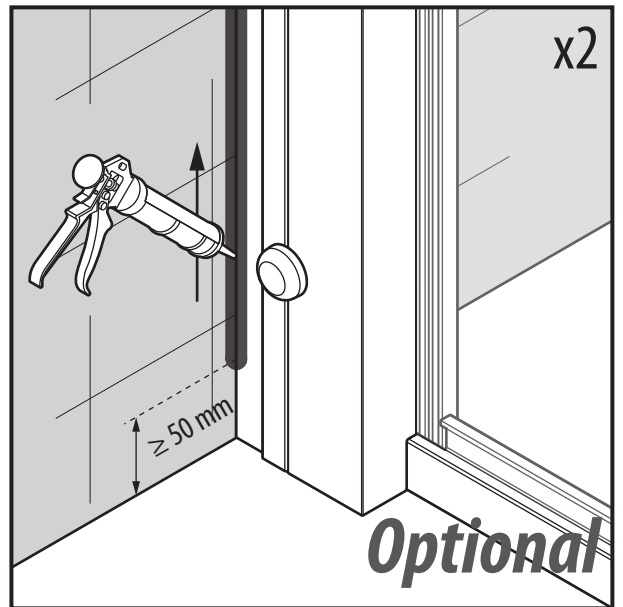
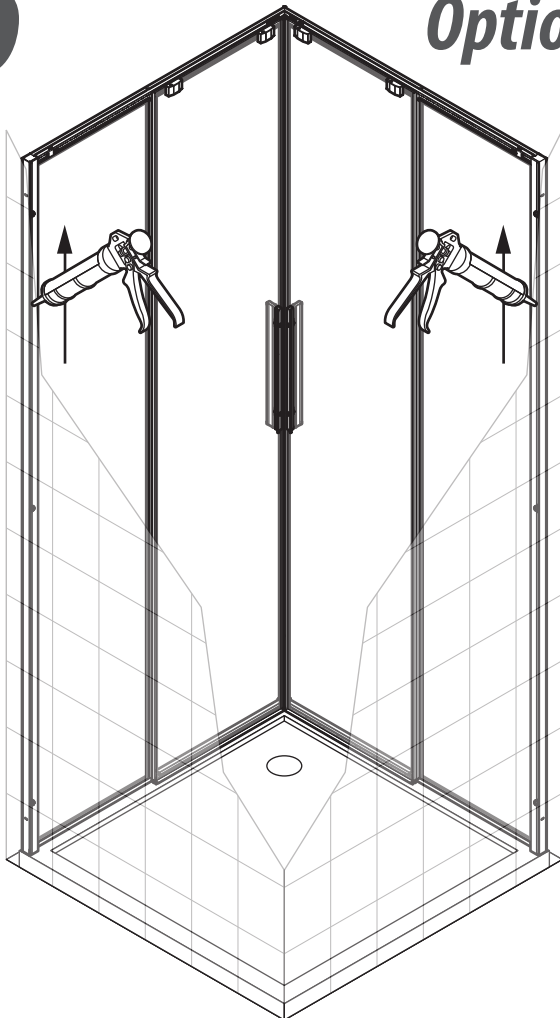


19



20

Optional



Note:

